



HIBAR
SYSTEMS LIMITED

The Liquid Dispensing Specialists

B SERIES **PRECISION** **CHECK VALVE** **DISPENSING PUMPS**



0 ~ 20 ml
Dispense
Volume

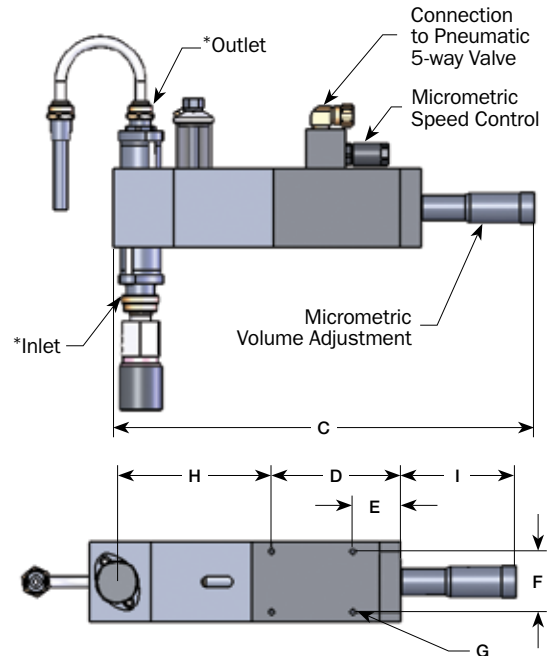
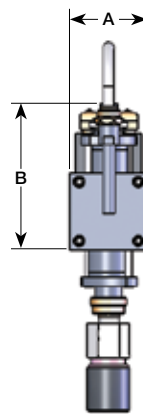
The **HIBAR B SERIES CHECK VALVE** style Dispensing Pumps have proven reliability having serviced the cosmetic, food, pharmaceutical and technical industries for over 30 years. These pumps are ideally suited for low to medium viscosity applications (<2000 cps) that require dispensing of .020 ml to 20 ml per shot.

B SERIES PRECISION CHECK VALVE DISPENSING PUMPS FEATURES

- Pneumatic Piston Pump provides extremely high dispensing accuracies, typically $\pm 1/2\%$ or better. (Some models are capable of dispensing quantities as small as 1 μ l with excellent accuracy).
- Precise dispense volume adjustment and speed control via the built-in micrometers and precision needle valves.
- Integrated check valves handle fluids with viscosities up to 20,000 cps. containing no solids.
- Easy to disassemble, clean and maintain.
- Modular design makes it easy to integrate with automated filling equipment.
- 316L Stainless Steel construction standard.
- A number of different pump construction materials are available to insure product compatibility.
- Robust design provides reliable and extended life. A service life of 20 million cycles without maintenance for some applications is not unusual. Pumps have provided continuous service for over 25 years with only routine maintenance required.
- Wide range of fill nozzles and accessories are available to suit specific applications.
- Servo motor driven models are also available. Consult Hibar for details.

www.hibar.com

PRECISION CV DISPENSING PUMPS SPECIFICATIONS AND APPLICATIONS



* Tube style inlet and outlet shown.
Other styles available.
Consult Hibar for different product connection requirements.

Model	Plunger Diameter		Stroke inch (mm)	Maximum Dispensing Volume (cc)	Cycle Speed (cpm)	Air Consumption scfm (l/min)	External Dimensions inch (mm)								Weight lbs (kg)													
	inch	mm					A	B	C	D	E	F	G	H		I												
1BC-1S	0.079	(2.0)	1/4 (6.4)	0.020	0-300 ^A	0.22 (6.2) ^B			7.77																			
1BC-2S	1/8	(3.2)		0.050													(198)											
1BC-3S	3/16	(4.8)		0.110																								
1BC-3M	3/16	(4.8)	1/2 (12.7)	0.230	0-300 ^A	0.44 (12.5) ^B	1.68	3.45	8.01	2.52	0.89	1.25	8-32	3.14	1.83	5.0												
1BC-4M	1/4	(6.4)		0.400													(43)	(88)	(203)	(64)	(23)	(32)	(80)	(47)	(2.3)			
1BC-5M	5/16	(7.9)		0.630																								
1BC-7M	7/16	(11.1)		1.230																								
1BC-10M	5/8	(15.9)		2.510																								
2BC-8R	1/2	(12.7)		3.220													0-150 ^A	0.83 (23.5) ^B	1.94	3.71	10.53	3.2	1.2	1.5	8-32	3.83	2.83	7.9
2BC-10R	5/8	(15.9)		5.030																								
2BC-12	3/4	(19.1)	7.240																									
2BC-14	7/8	(22.2)	9.850																									
2BC-17	1-1/16	(27.0)	14.520																									
2BC-20	1-1/4	(31.8)	20.110																									

^A Maximum cycle rate is application dependant ^B Calculated at full stroke at 100cpm, 75 PSI (5 Bar)

APPLICATIONS

General	Cosmetics	Food	Pharmaceutical
<ul style="list-style-type: none"> Acids Alkalines Reagents Inks Paints Glues/Adhesives Battery Electrolyte Lighter Fluids Oils Solvents 	<ul style="list-style-type: none"> Perfume Creams Lotions Shampoos Oils Mouthwash Nail Lacquer Moisturizer Skin Cleanser Make-up Remover 	<ul style="list-style-type: none"> Ketchup Vinegar Honey Butter Coffee Cream Jelly Sauces Juices Puddings 	<ul style="list-style-type: none"> Medicine Culture Media Biologicals Antibiotics Cough Syrup