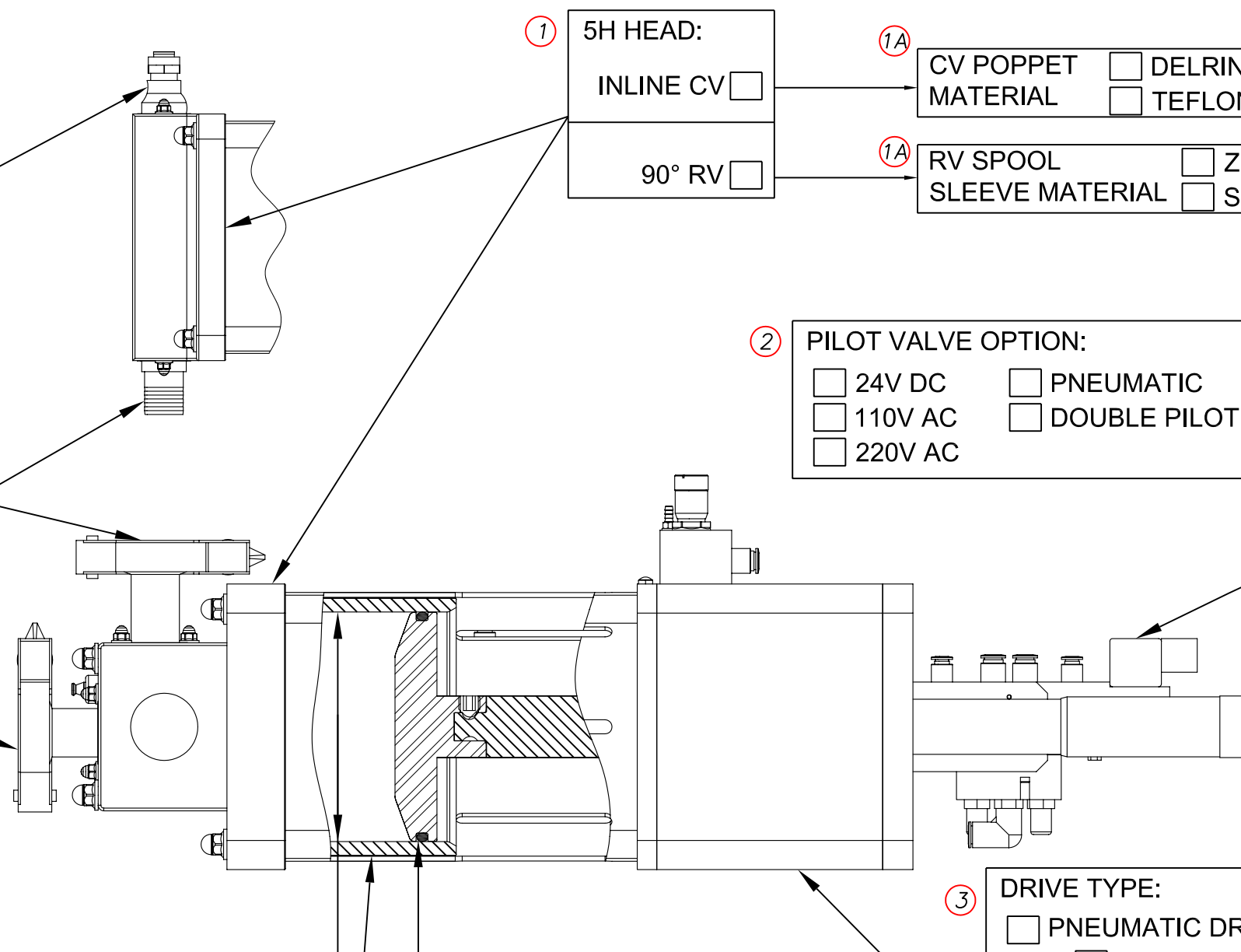


NOTES & OTHER OPTIONS:

5H/5S



① 5H HEAD:

INLINE CV → ①A CV POPPET MATERIAL DELRIN (STANDARD) TEFLON (SPECIAL)

90° RV → ①A RV SPOOL SLEEVE MATERIAL ZIRCONIA (STANDARD) SS (SPECIAL)

② PILOT VALVE OPTION:

24V DC PNEUMATIC

110V AC DOUBLE PILOT PNEUMATIC

220V AC

⑨ OUTLET FITTING:

TYPE: _____

SIZE: _____

⑧ INLET FITTING:

TYPE: _____

SIZE: _____

⑦

| MAX. VOLUME | PLUNGER Ø | STROKE |
|-----------------------------------|-----------|--------|
| <input type="checkbox"/> 2000 ML. | Ø5-1/8 | 6" |
| <input type="checkbox"/> 1000 ML. | Ø5-1/8 | 3" |
| <input type="checkbox"/> 500 ML. | Ø3-3/4 | 3" |
| <input type="checkbox"/> 290 ML. | Ø2-3/4 | 3" |
| <input type="checkbox"/> 100 ML. | Ø1-5/8 | 3" |

⑥ PLUNGER SLEEVE MATERIAL:

CHROMED SS (STANDARD)

SS (SPECIAL)

④ PLUNGER SEAL TYPE:

UCUP SEAL

ORING SEAL

⑤ PLUNGER SEAL MATERIAL:

VITON SILICON

EP TEFLON

BUNA UHMW

OTHER: _____


③ DRIVE TYPE:

PNEUMATIC DRIVE (5H)

WITH STROKE MONITOR

FESTO SENSOR (SIZE 8): _____

SERVO DRIVE (5S)

 HIBAR SYSTEMS LIMITED TORONTO, CANADA

NOT TO SCALE SALES ENGINEER: _____

DATE: _____ CUSTOMER: _____

TITLE: HIBAR 5H METERING PUMP REQUEST FORM

PO #: _____ ER #: _____

PLEASE ENTER ALL KNOWN INFORMATION