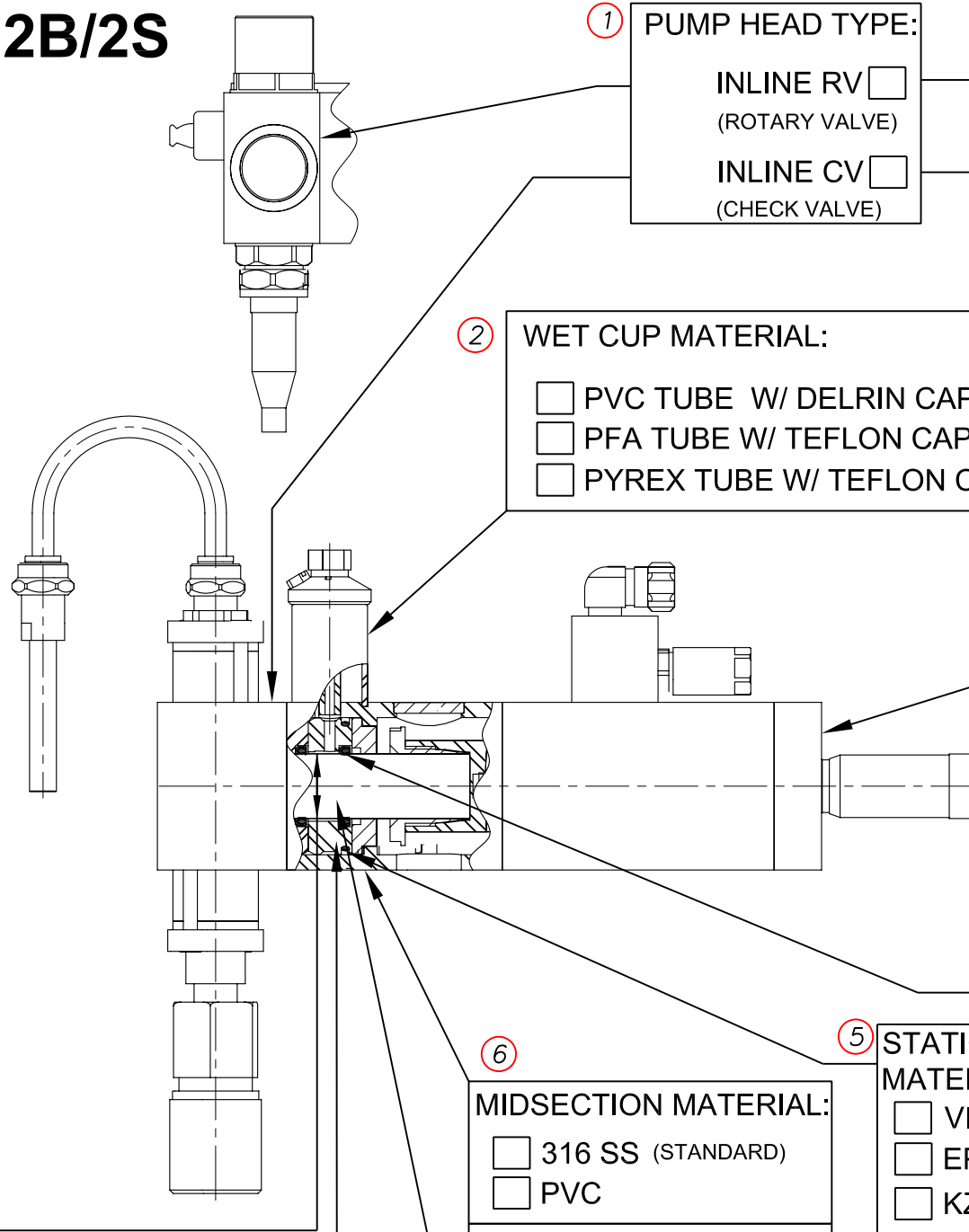


NOTES & OTHER OPTIONS:

# 1B/1S & 2B/2S



**1 PUMP HEAD TYPE:**

**INLINE RV**  
(ROTARY VALVE)

**INLINE CV**  
(CHECK VALVE)

**1A RV HEAD LINER MATERIAL**

DELRIN (STANDARD)  
 TEFLON

RV SPOOL SLEEVE MATERIAL  
 ZIRCONIA (STANDARD)  
 SS

**1A CV HEAD MATERIAL**

316 SS (STANDARD)  
 PVC

CV SPRING MATERIAL  
 303 SS (STANDARD)  
 HAST'C

CV POPPET MATERIAL  
 DELRIN (STANDARD)  
 TEFLON  
 PVC  
 KEL-F  
 PP

**2 WET CUP MATERIAL:**

PVC TUBE W/ DELRIN CAP  
 PFA TUBE W/ TEFLON CAP  
 PYREX TUBE W/ TEFLON CAP

**3 DRIVE TYPE:**

PNEUMATIC DRIVE (1B/2B)  
 WITH STROKE MONITOR  
 FESTO SENSOR (SIZE 8): \_\_\_\_\_

SERVO DRIVE (1S/2S)  
 SERVO MOTOR MODEL: \_\_\_\_\_

**12 TUBING:**

POLYETHYLENE  
 TEFLON  
 POLYPROPYLENE

**13 NOZZLE:**

DELRIN  NONE  
 316 SS  
 PVC

**10 INLET FITTING:**

COMMON SIZES & TYPES:

1/4"  TUBE  
 3/8"  SWAGE  
 1/2"

OR SPECIFY OTHER:  
TYPE: \_\_\_\_\_

SIZE: \_\_\_\_\_

**11 OUTLET FITTING:**

COMMON SIZES & TYPES:

1/8"  TUBE  
 1/4"  SWAGE  
 3/8"

OR SPECIFY OTHER:  
TYPE: \_\_\_\_\_

SIZE: \_\_\_\_\_

**9**

SERIES	MODEL	MAX. VOLUME	PLUNGER Ø	STROKE
2B/2S	<input type="checkbox"/> 20	20.11 ML.	Ø1-1/4	1.000"
	<input type="checkbox"/> 17	14.52 ML.	Ø1-1/16	1.000"
	<input type="checkbox"/> 14	9.854 ML.	Ø7/8	1.000"
	<input type="checkbox"/> 12	7.240 ML.	Ø3/4	1.000"
	<input type="checkbox"/> 10R	5.027 ML.	Ø5/8	1.000"
	<input type="checkbox"/> 8R	3.210 ML.	Ø1/2	1.000"
1B/1S	<input type="checkbox"/> 12	3.610 ML.	Ø3/4	0.500"
	<input type="checkbox"/> 10	2.514 ML.	Ø5/8	0.500"
	<input type="checkbox"/> 7M	1.229 ML.	Ø7/16	0.500"
	<input type="checkbox"/> 5M	0.626 ML.	Ø5/16	0.500"
	<input type="checkbox"/> 4M	0.402 ML.	Ø1/4	0.500"
	<input type="checkbox"/> 3M	0.225 ML.	Ø3/16	0.500"
	<input type="checkbox"/> 3S	0.113 ML.	Ø3/16	0.250"
	<input type="checkbox"/> 2S	0.050 ML.	Ø1/8	0.250"
	<input type="checkbox"/> 1S	0.020 ML.	Ø.079	0.250"

**8 PACKING SPACER:**

DELRIN (STANDARD)  
 TEFLON  
 PVC  
 316 SS  
 PVDF  
 POLYPROPYLENE

**6 MIDSECTION MATERIAL:**

316 SS (STANDARD)  
 PVC

**WINDOW MATERIAL:**

ACRYLIC (STANDARD)  
 PYREX  PFA

**7 PLUNGER MATERIAL:**

PYREX (STANDARD)  
 ZIRCONIA  
 316 SS

**5 STATIC SEAL MATERIAL:**

VITON  
 EP  
 KZ  
 SILICONE  
 BUNA

**4 DYNAMIC SEAL TYPE:**

UCUP W/ ORING EXPANDER (STANDARD)  
 UCUP W/ SS EXPANDER

**DYNAMIC SEAL MATERIAL:**

TEFLON (STANDARD)  
 UHMW

**HIBAR SYSTEMS LIMITED** TORONTO, CANADA

NOT TO SCALE

SALES ENGINEER: \_\_\_\_\_

DATE: \_\_\_\_\_ CUSTOMER: \_\_\_\_\_

TITLE: HIBAR 1B/1S & 2B/2S METERING PUMP REQUEST FORM

PO #: \_\_\_\_\_ ER #: \_\_\_\_\_

PLEASE ENTER ALL KNOWN INFORMATION